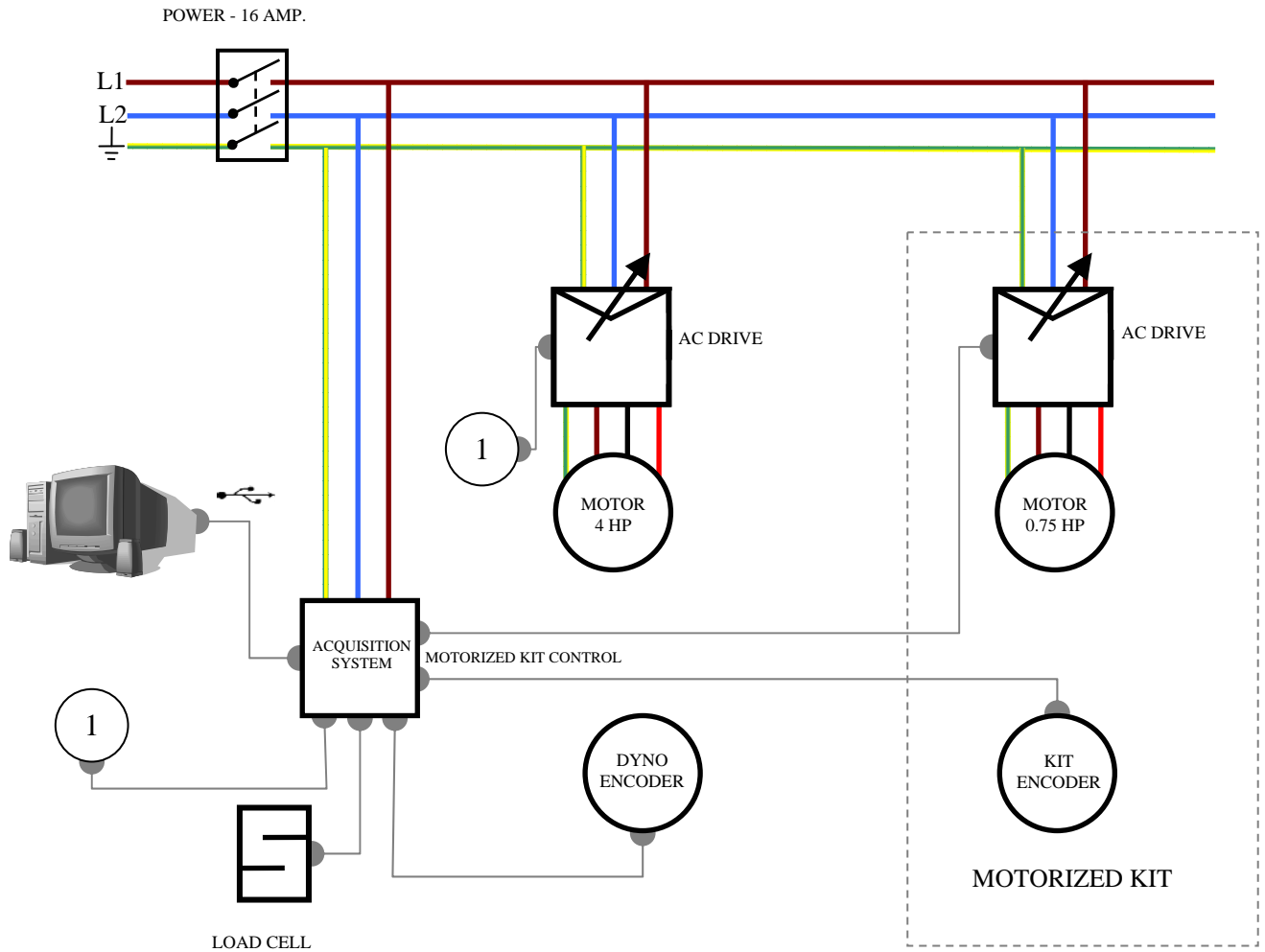


ELECTRICAL INSTALLATION 2 PHASE DINO + MOTORIZED KIT



ACQUISITION SYSTEM

